

# Performance curves:

## UTS-B 40-25-200

### Impeller

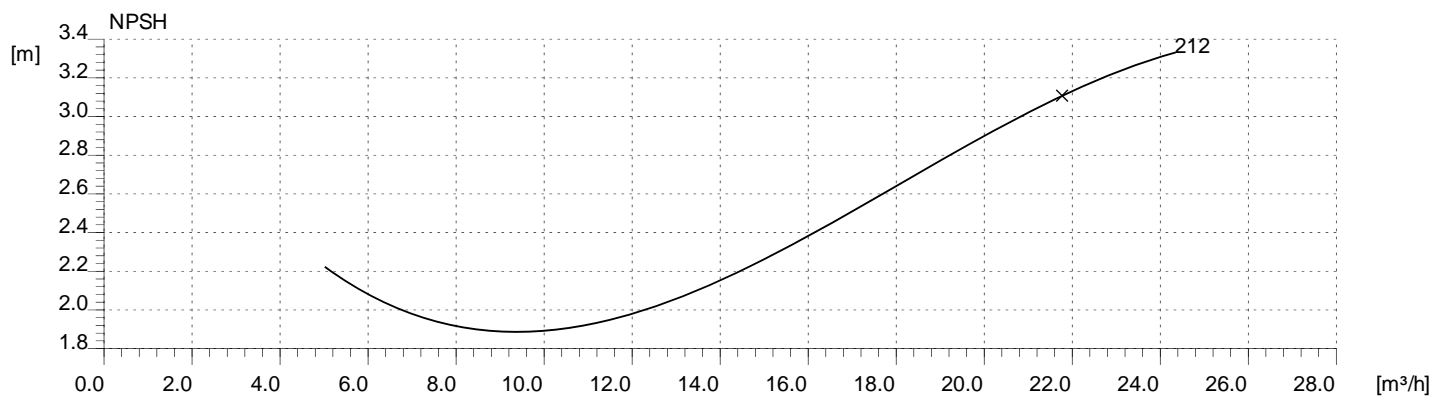
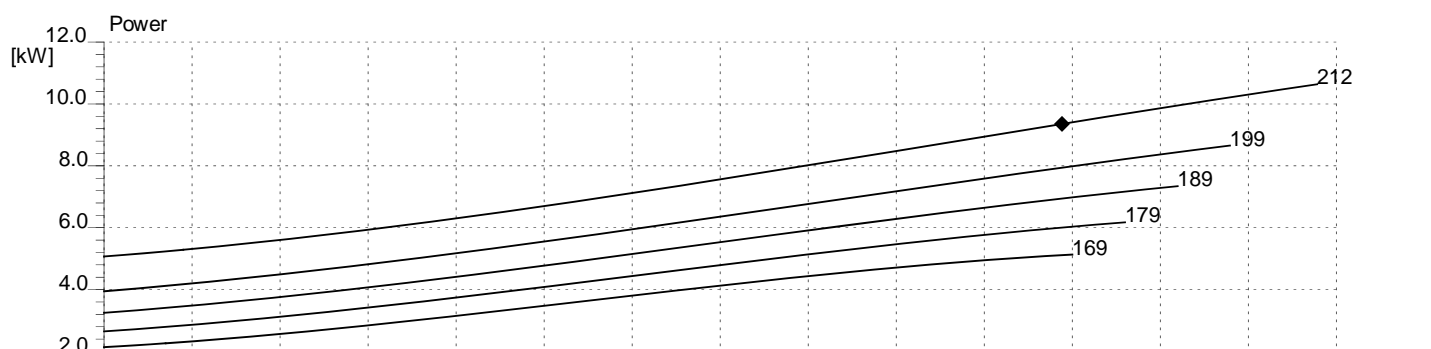
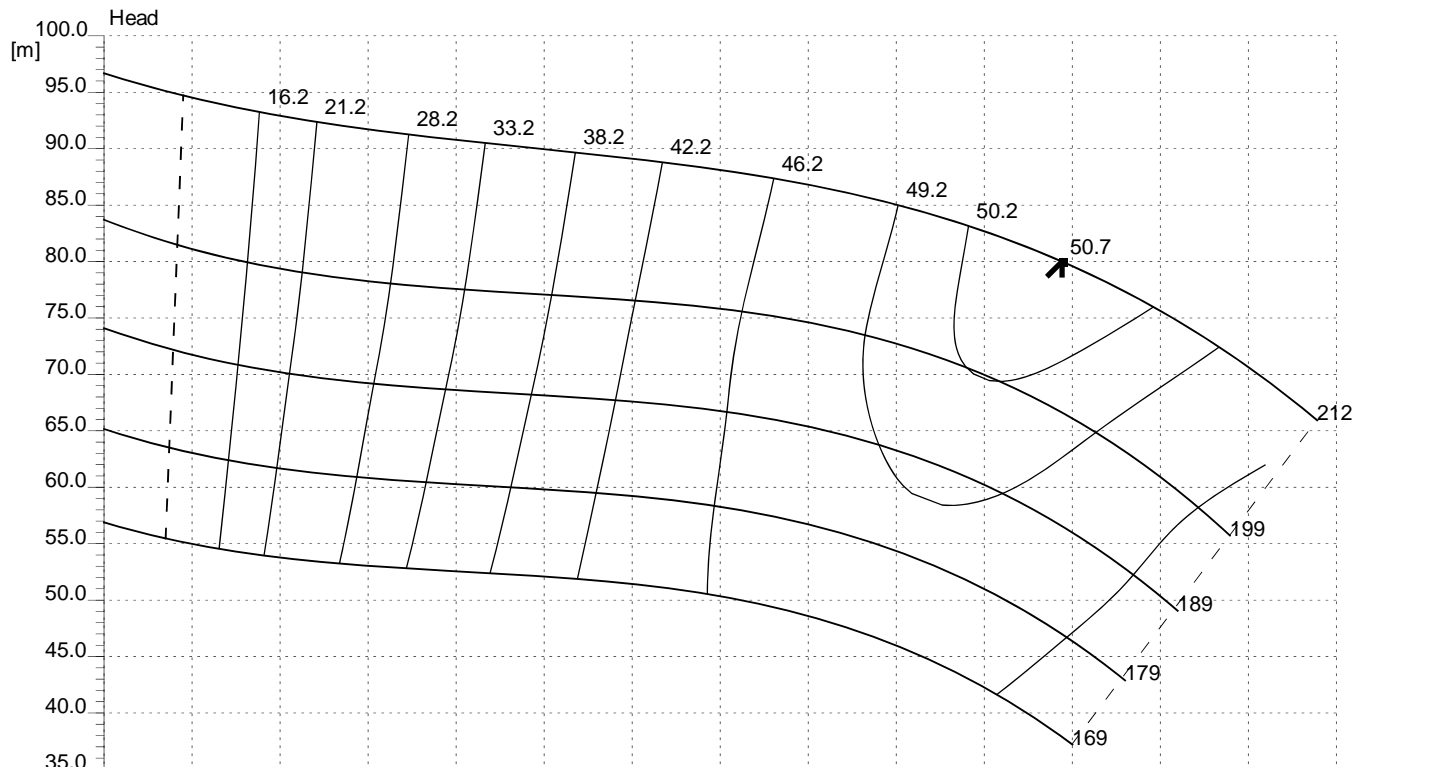
Type: <b>Closed</b>	Max. Ø: <b>212 [mm]</b>	Min. Ø: <b>169 [mm]</b>	Sel. Ø:	Outlet width: <b>0 [mm]</b>	Bearing bracket:
------------------------	----------------------------	----------------------------	---------	--------------------------------	------------------

### Operating data

Speed: <b>3500 [rpm]</b>	Frequency:	Duty point: Q=	H=	Suction port: <b>0 [mm]</b>	Discharge port: <b>25 [mm]</b>
-----------------------------	------------	-------------------	----	--------------------------------	-----------------------------------

Power data referred to: Water; 1.000 [kg/dm³]; 20.0 [yC]

Curve number: UTS-B40-25-20035



Project:	Project no.:	Created by:	Date: <b>2007-07-24</b>
----------	--------------	-------------	----------------------------