

Performance curves:

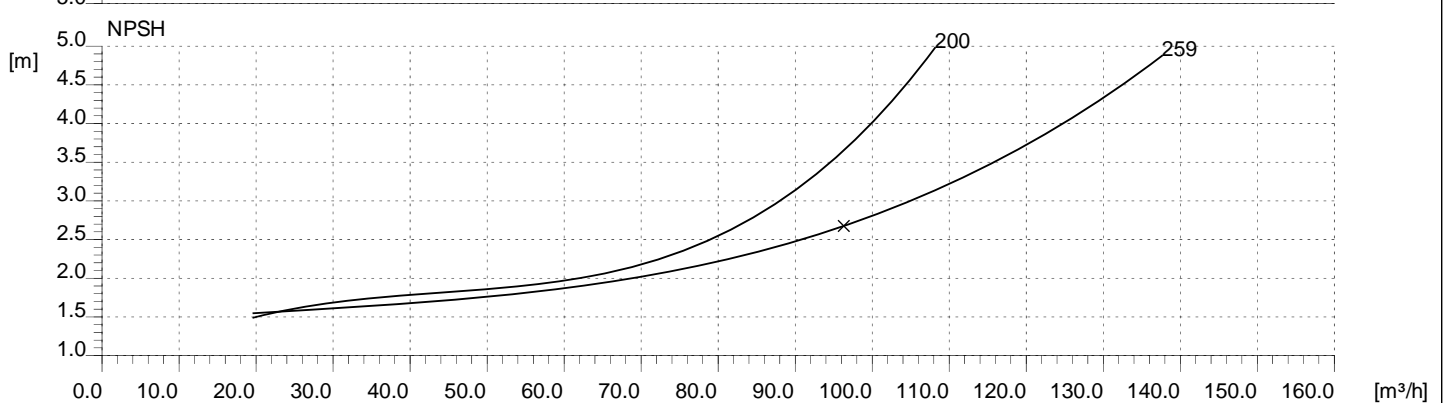
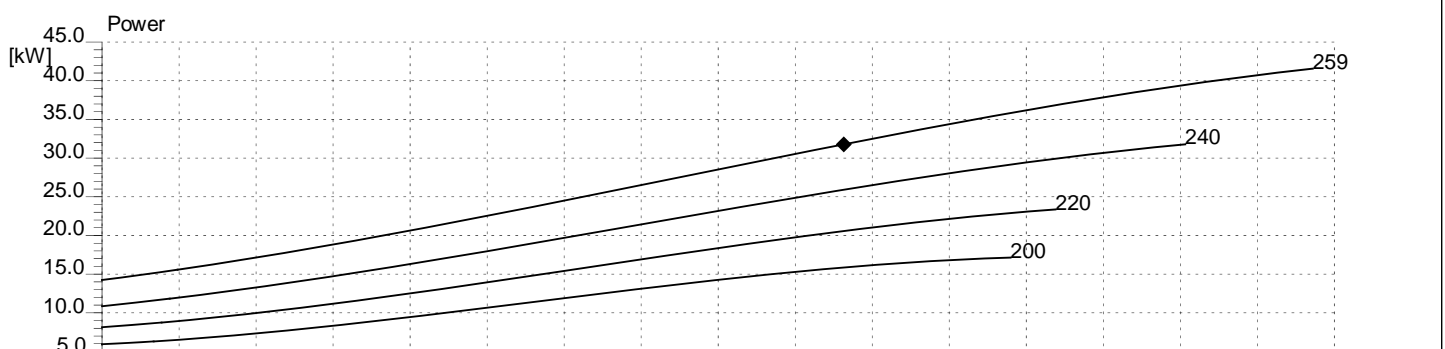
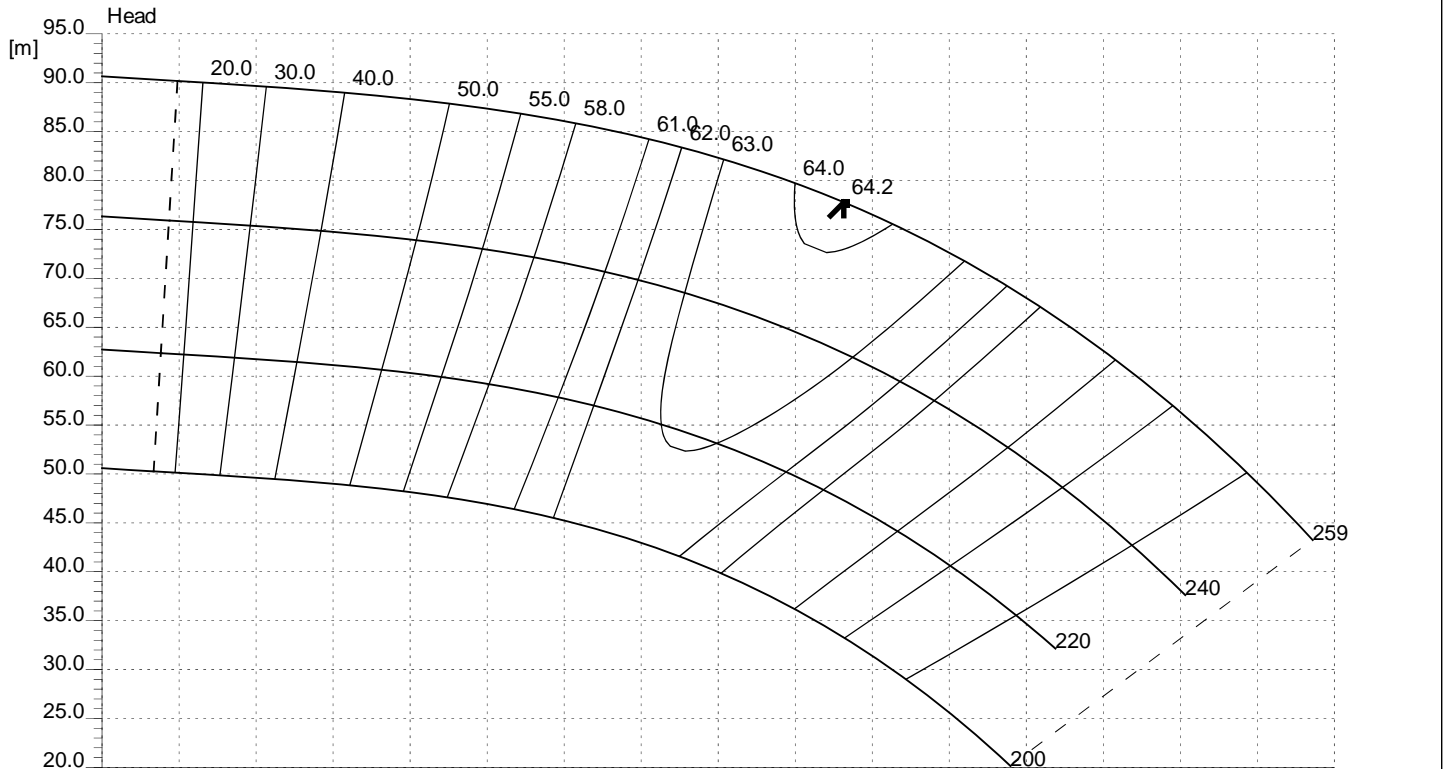
UTS-B 100-65-250

Impeller					
Type: Closed	Max. Ø: 259 [mm]	Min. Ø: 200 [mm]	Sel. Ø:	Outlet width: 0 [mm]	Bearing bracket:

Operating data					
Speed: 2900 [rpm]	Frequency:	Duty point: Q=	H=	Suction port: 100 [mm]	Discharge port: 65 [mm]

Power data referred to: Water; 1.000 [kg/dm³]; 20.0 [yC]

Curve number: UTS-B100-65-25029



Project:	Project no.:	Created by:	Date: 2007-07-25
----------	--------------	-------------	----------------------------