

Performance curves:

UTS 50-32-250



Impeller

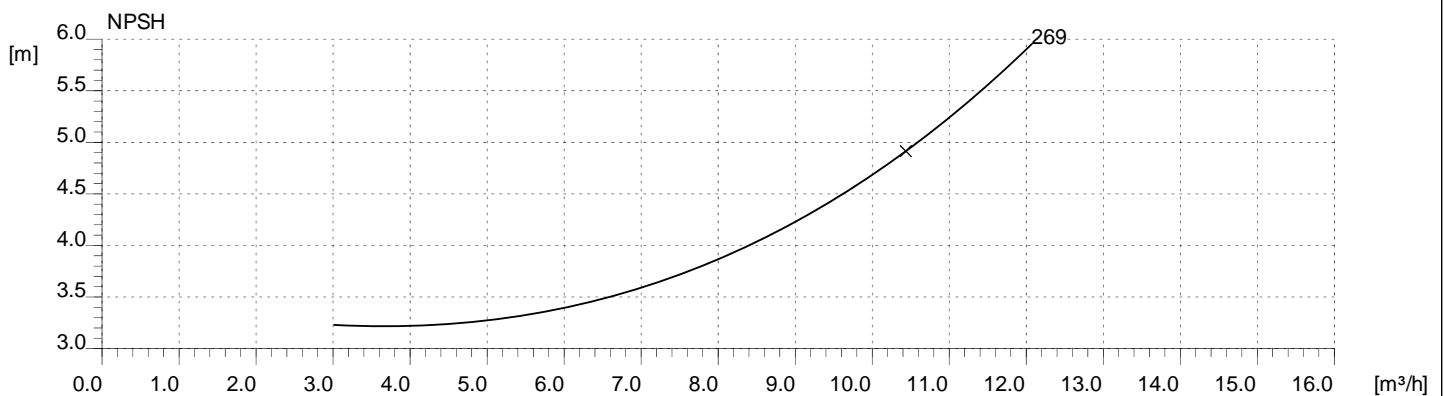
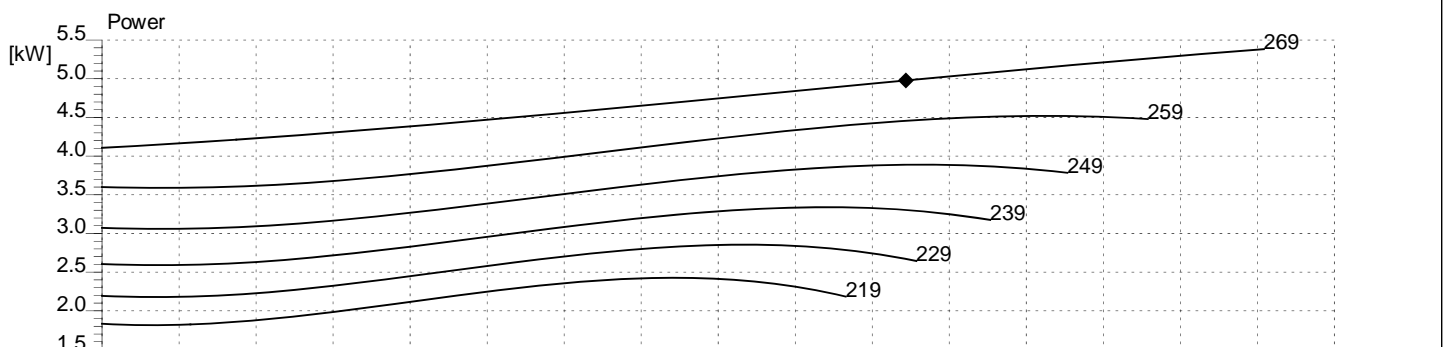
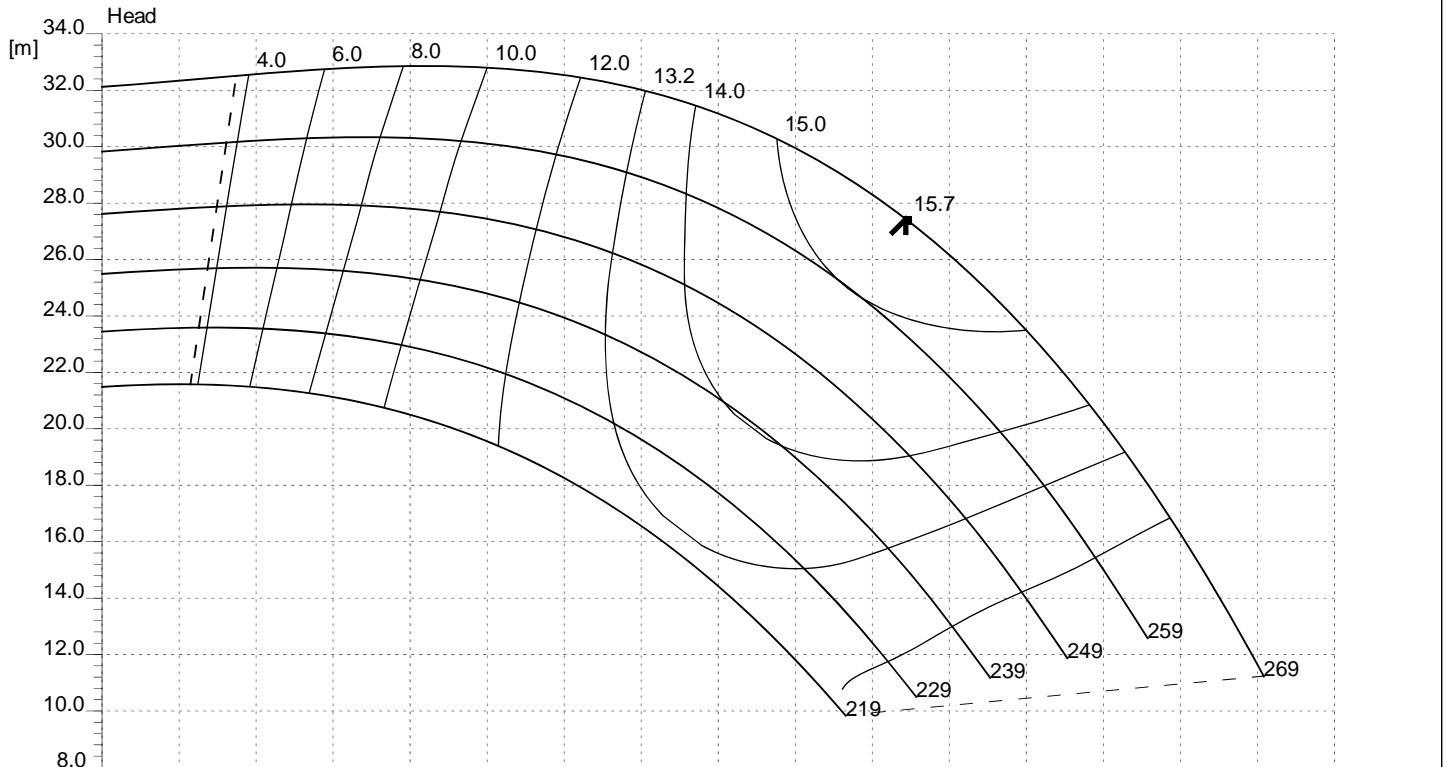
Type: Closed	Max. Ø: 269 [mm]	Min. Ø: 219 [mm]	Sel. Ø:	Outlet width: 0 [mm]	Bearing bracket:
------------------------	----------------------------	----------------------------	---------	--------------------------------	------------------

Operating data

Speed: 1750 [rpm]	Frequency:	Duty point: Q=	H=	Suction port: 0 [mm]	Discharge port: 0 [mm]
-----------------------------	------------	-------------------	----	--------------------------------	----------------------------------

Power data referred to: Water; 1.000 [kg/dm³]; 20.0 [yC]

Curve number: UTS50-32-25017



Project:	Project no.:	Created by:	Date: 2007-06-14
----------	--------------	-------------	----------------------------