

Performance curves:

UTS 100-65-160



Impeller

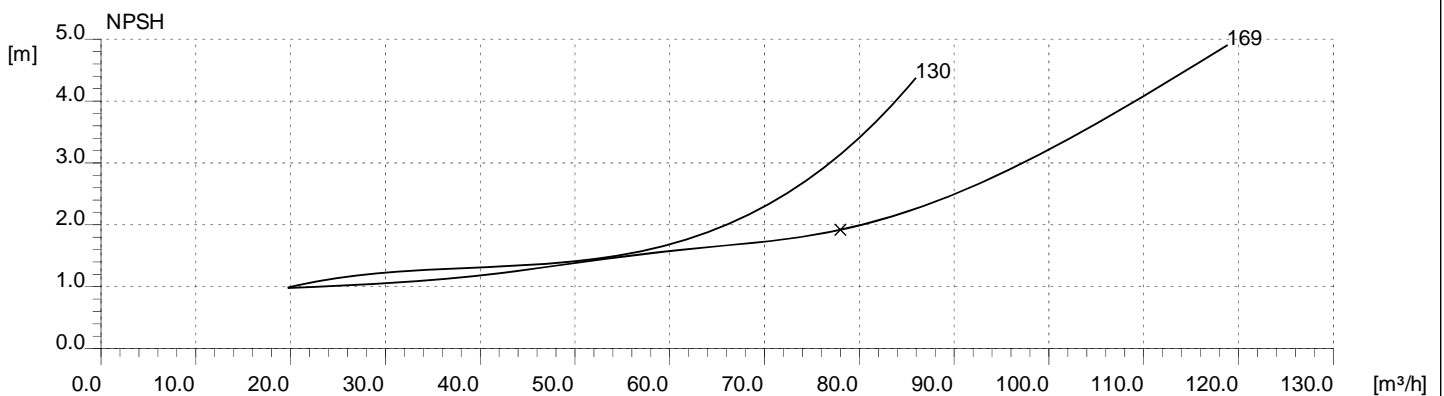
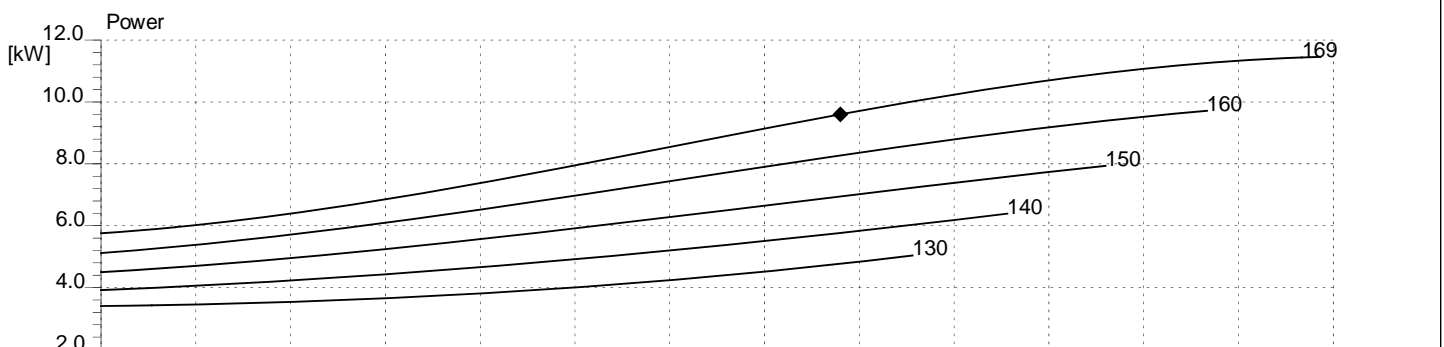
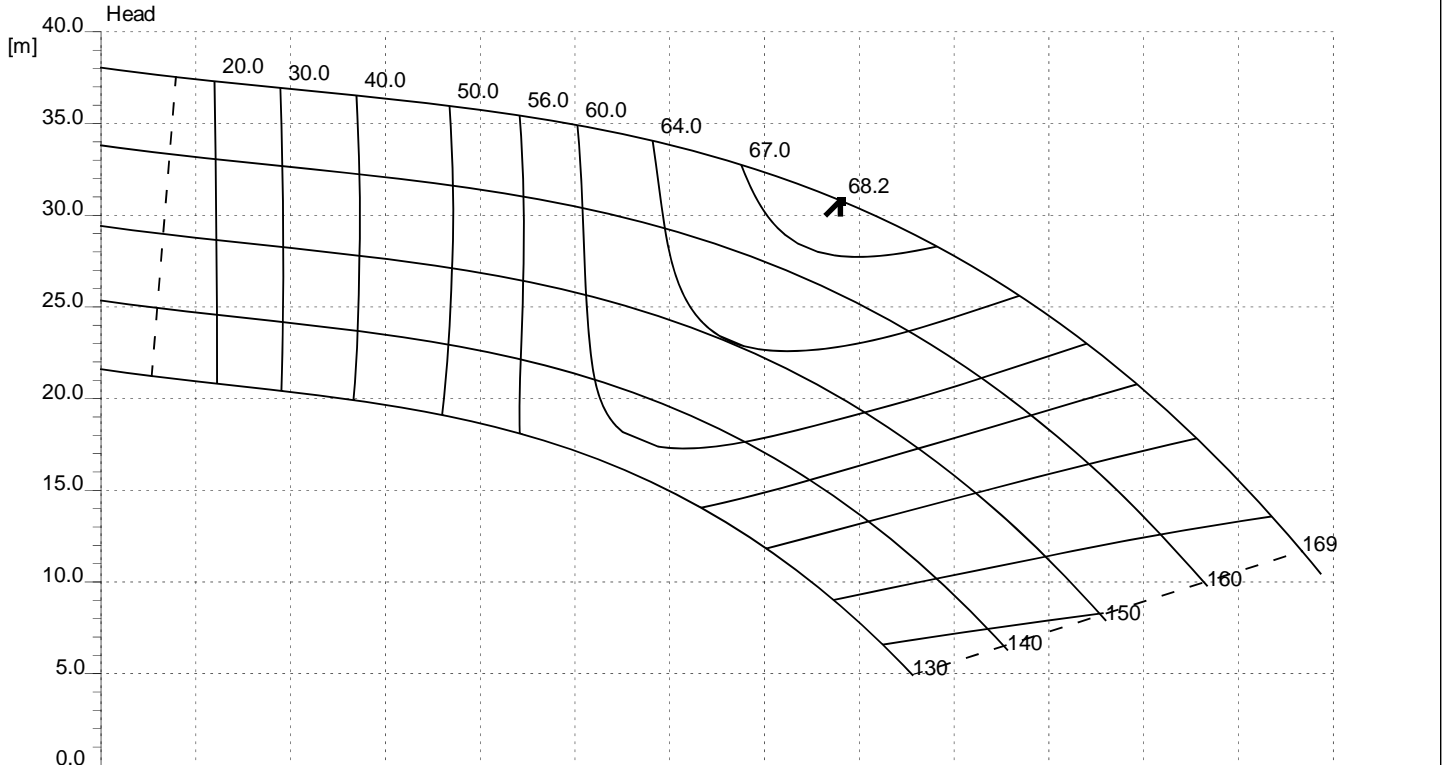
Type: Closed	Max. Ø: 169 [mm]	Min. Ø: 130 [mm]	Sel. Ø:	Outlet width: 0 [mm]	Bearing bracket:
------------------------	----------------------------	----------------------------	---------	--------------------------------	------------------

Operating data

Speed: 2900 [rpm]	Frequency:	Duty point: Q=	H=	Suction port: 100 [mm]	Discharge port: 65 [mm]
-----------------------------	------------	-------------------	----	----------------------------------	-----------------------------------

Power data referred to: Water; 1.000 [kg/dm³]; 20.0 [yC]

Curve number: UTS100-65-16029



Project:	Project no.:	Created by:	Date: 2007-01-26
----------	--------------	-------------	----------------------------