

Performance curves:

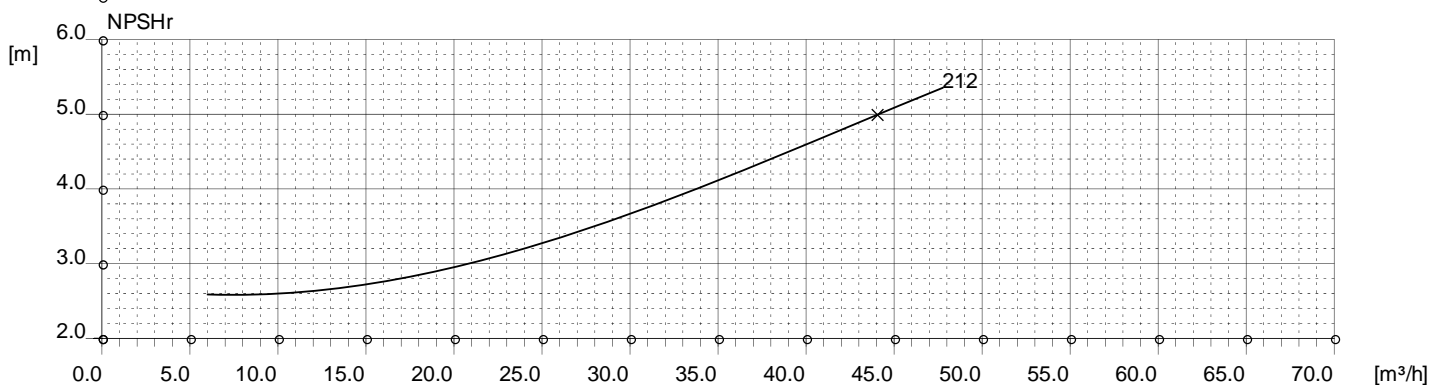
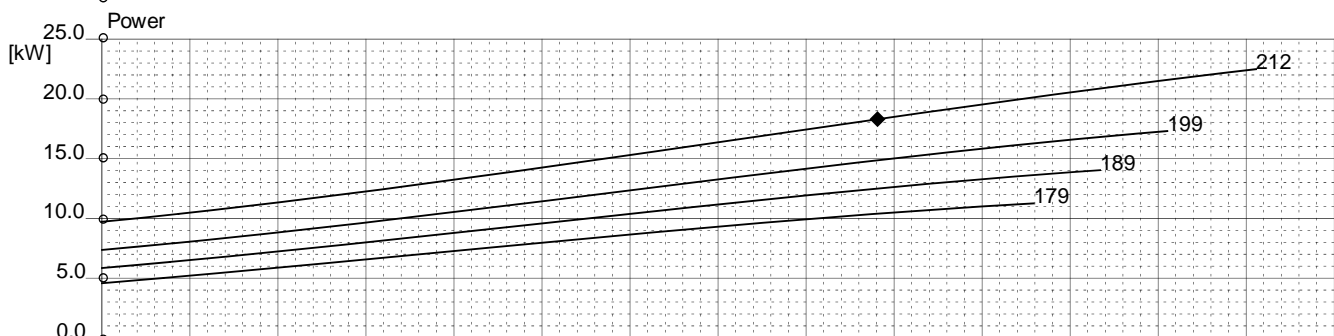
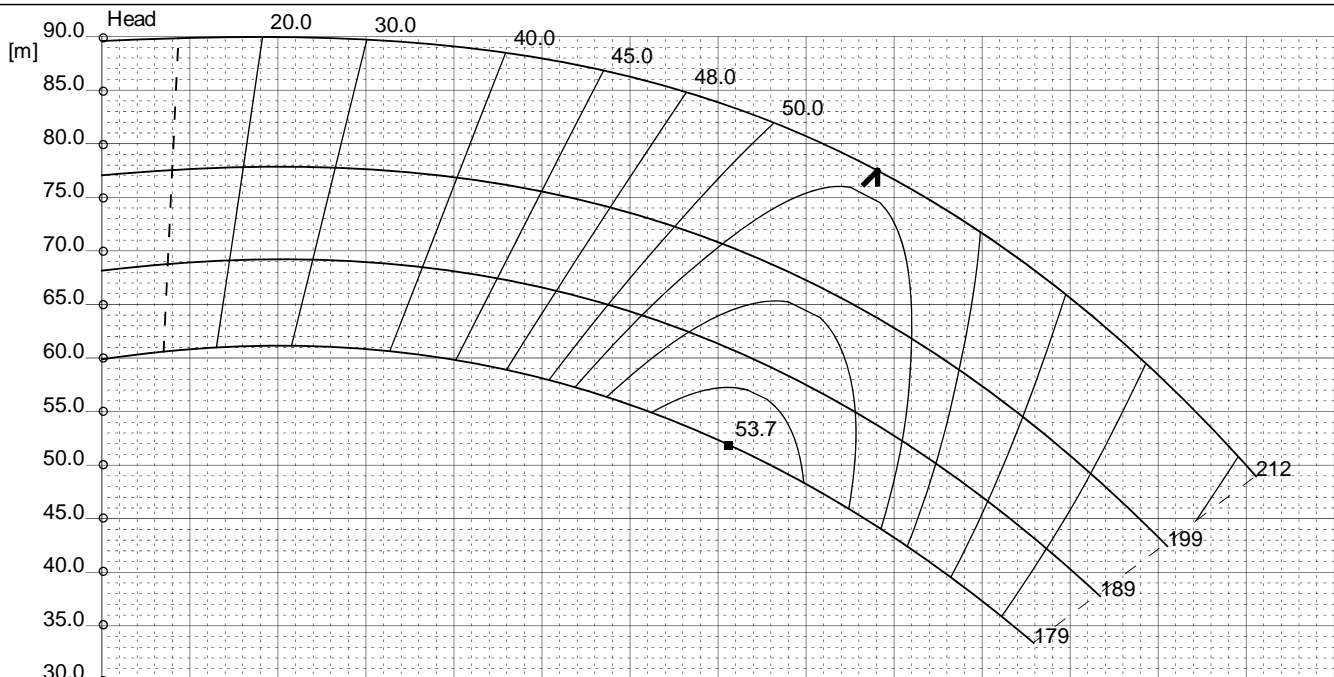
UCS 65-40-200



Impeller					
Type: Closed	Max. Ø: 212 [mm]	Min. Ø: 169 [mm]	Sel. Ø:	Outlet width: 0 [mm]	Bearing bracket:
Operating data					
Speed: 3500 [rpm]	Frequency:	Duty point: Q=	H=	Suction port: 65 [mm]	Discharge port: 40 [mm]

Power data referred to: Water; 1.000 [kg/dm³]; 20.0 [°C]

Curve number: UCS65-40-2003



Project:	Project no.:	Created by:	Date: 2007-11-12
----------	--------------	-------------	----------------------------