

Performance curves:

CCN 50-26



Impeller

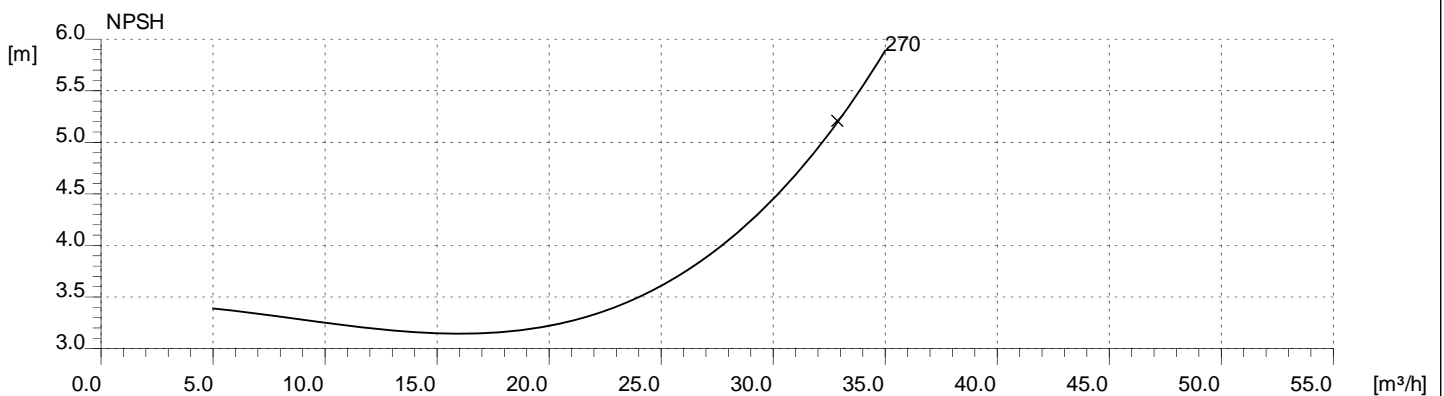
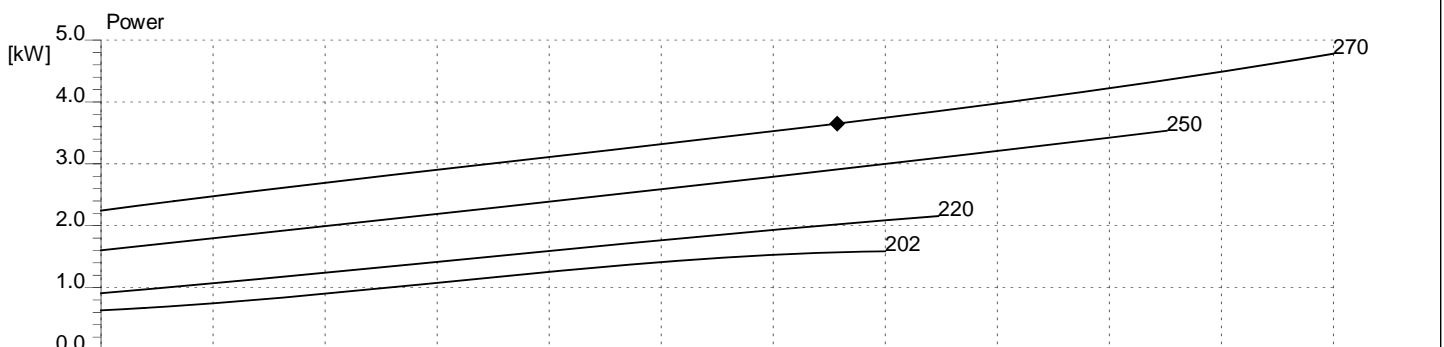
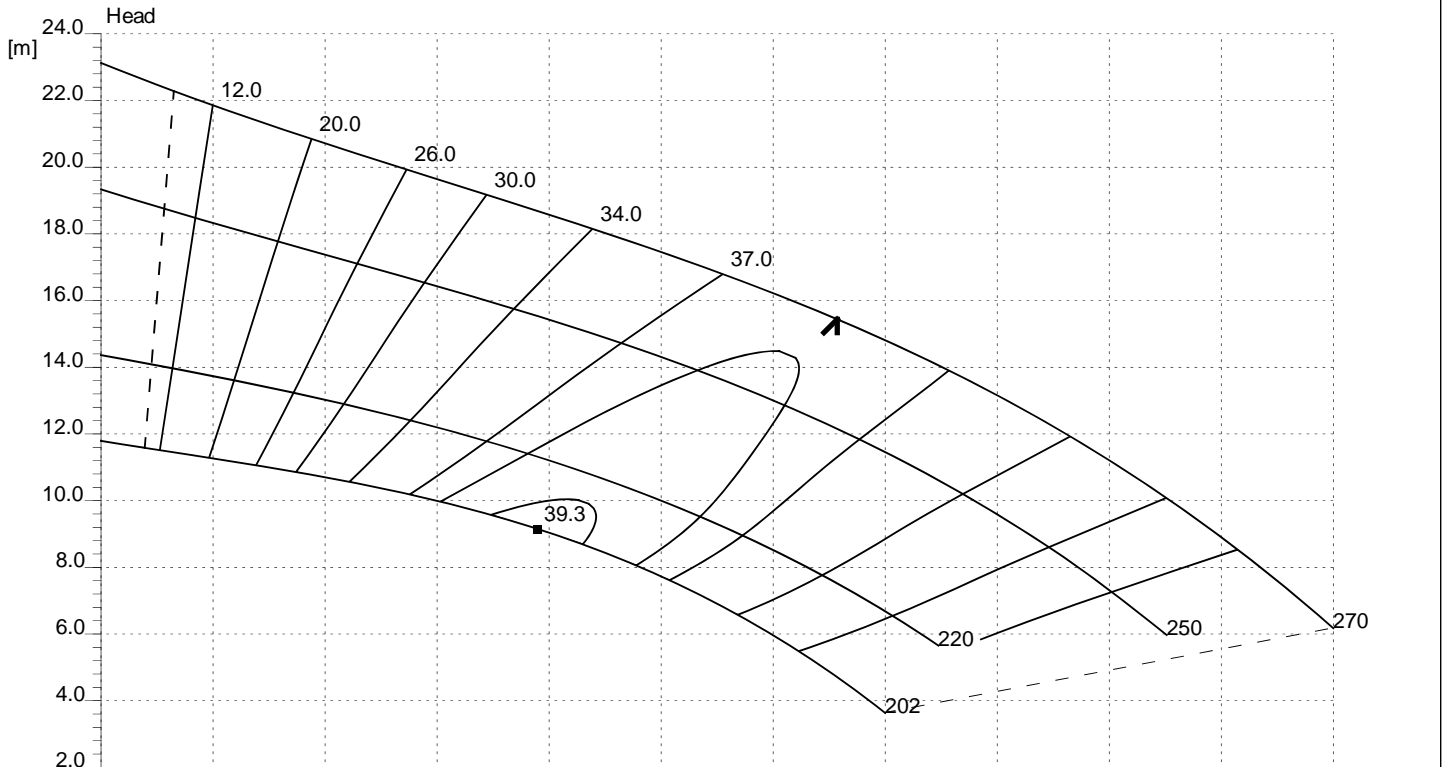
Type: Closed	Max. Ø: 270 [mm]	Min. Ø: 202 [mm]	Sel. Ø:	Outlet width: 0 [mm]	Bearing bracket:
------------------------	----------------------------	----------------------------	---------	--------------------------------	------------------

Operating data

Speed: 1450 [rpm]	Frequency:	Duty point: Q=	H=	Suction port: 80 [mm]	Discharge port: 50 [mm]
-----------------------------	------------	-------------------	----	---------------------------------	-----------------------------------

Power data referred to: Water; 1.000 [kg/dm³]; 20.0 [yC]

Curve number: CCN50-2614



Project:	Project no.:	Created by:	Date: 2007-01-26
----------	--------------	-------------	----------------------------