

STN-A 30

STN-A 40



Self priming Magnetic driven pump

Technical features

Self priming magnetic driven pumps in corrosion resistant thermoplastic material
 Pump Unit: STN series pump, simple, low-cost, safe. Motor sizes from 1.5 to 5.5 Kw at 2900 rpm
 Self Priming Barrel: PP, PVDF or PVC; suction and discharge DN 32 x DN 32 or DN 50 x DN 50.
 Base-plate: in PP (standard construction), AISI 304L on request

Applications: Handling of acids, bases, solvents etc.

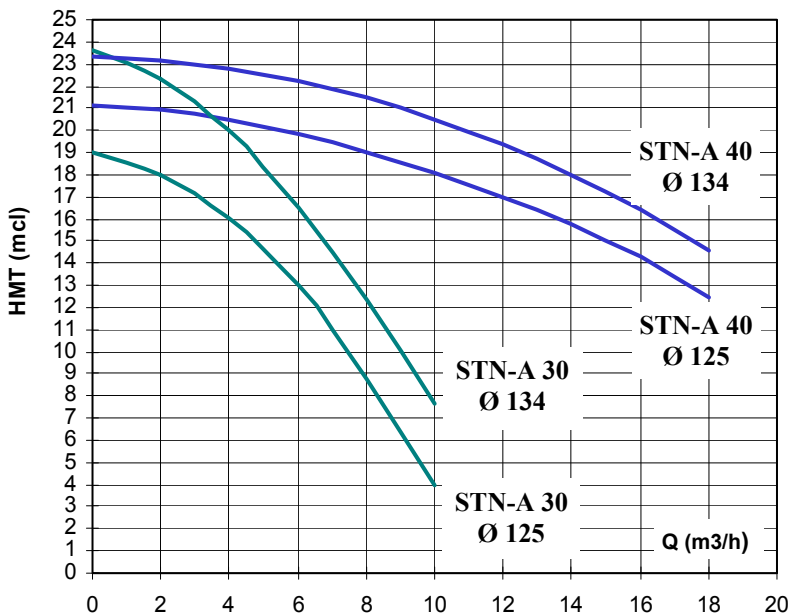
Installation: Horizontal mounting, suction above liquid level, high safety standards.

Important: When pump is stopped, the barrel is always granting a minimum liquid quantity: **pump will never run dry!**

Max suction capacity: max 6 meters with short suction pipe.

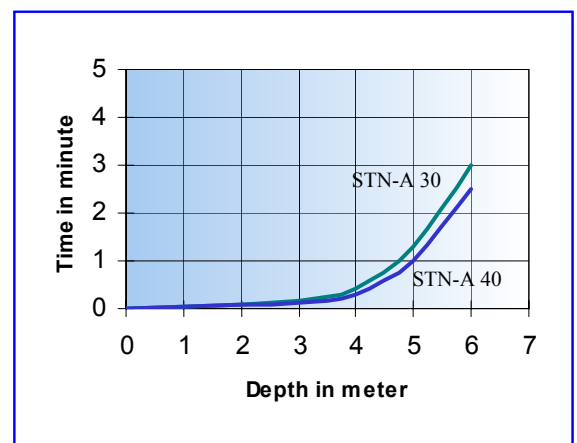
For relevant piping length or heights and/or for products with elevated vapour tensions, please contact CDR Pompe Technical Dept.

Performance Curves

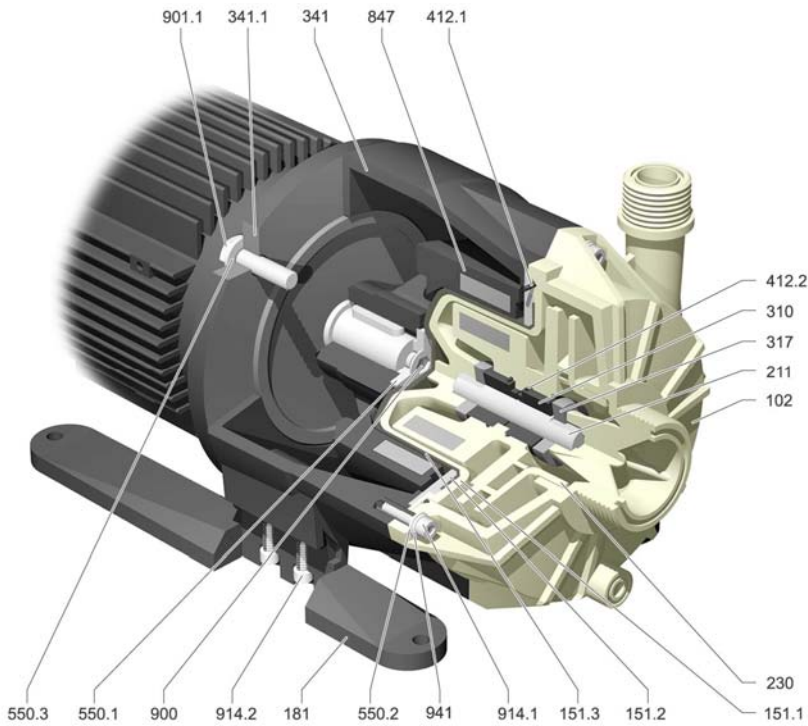


Approx. Priming times

STN-A 30 : suction pipe DN 32
 STN-A 40 : suction pipe DN 50



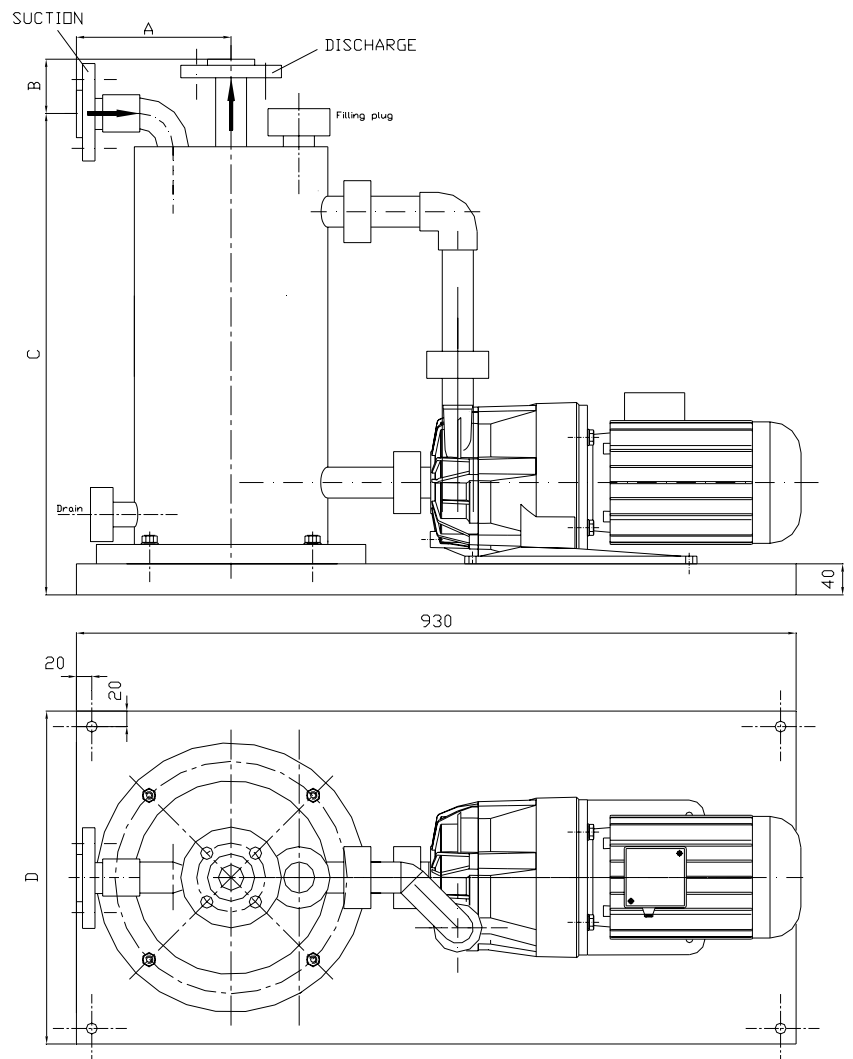
Section pump



Ref.	Description	Qty	Materials
102	Pump casing	1	PP / ETFE
151.1	Isolation shell	1	PP / ETFE
151.2	Isolation shell flange	1	Aisi 304
211	Shaft	1	Sic / Ceramic
230	Impeller	1	PP / ETFE
310	Rotating bushing	2	Graphite LF / Sic / Ceramic
317	Axial thrust shoe	2	Sic / Ceramic
412.1	Casing gasket	1	FPM / EPDM / FFKM
847	External magnet	1	NdFeB

Overall dimensions

Pumps	STN-A 30	STN-A 40
Motor 2900 rpm	1.5 a 3.0 kw IP 55 o Eex(d)	1.5 a 5.5 kw IP 55 o Eex(d)
A	200	200
B	70	80
C	620	780
D	430	480
DNa PN 10	32	50
DNm PN 10	32	50



Via P.Togliatti 26/A 20030 Senago (Mi) Tel : +39 02 9901941 Fax +39 02 9980606
E-mail : info@cdrpompe.it — Sito Internet : www.cdrpompe.com