

ETN-A 50

ETN-A 60



Self priming Magnetic driven pump

Technical features

Self priming magnetic driven pumps in corrosion resistant thermoplastic material.

Pump Unit: ETN series pump, simple, low-cost, safe.

Motor sizes from 3 to 7.5 Kw at 2900 rpm.

Self Priming Barrel: PP, PVDF or PVC - Suction and discharge DN 32 x DN 32 or DN 50 x DN 50.

Base-plate : in PP (Standard construction) AISI 304L on request.

Applications: Handling of acids, bases, solvents etc.

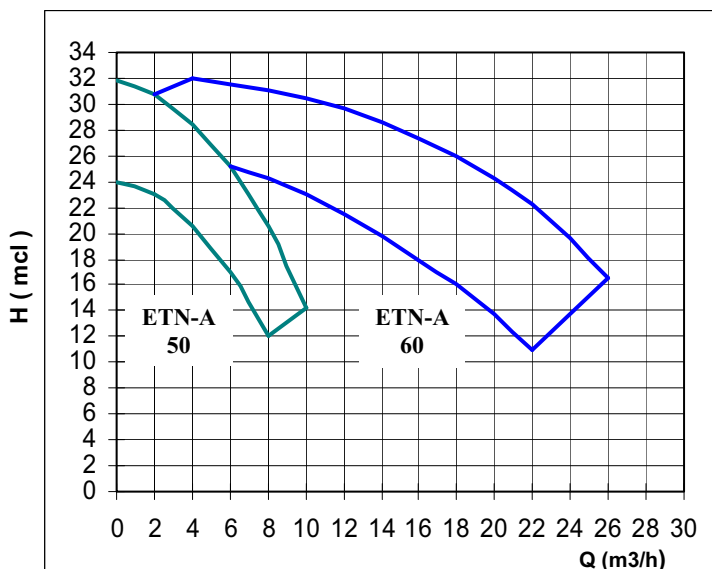
Installation: Horizontal mounting, suction above liquid level, high safety standards.

Important : When pump is stopped, the barrel is always granting a minimum liquid quantity : ***pump will never run dry!***

Max suction capacity: max 6 meters with short suction pipe.

For relevant piping length or heights and/or for products with elevated vapour tensions, please contact CDR Pompe S.p.A. technical Dept.

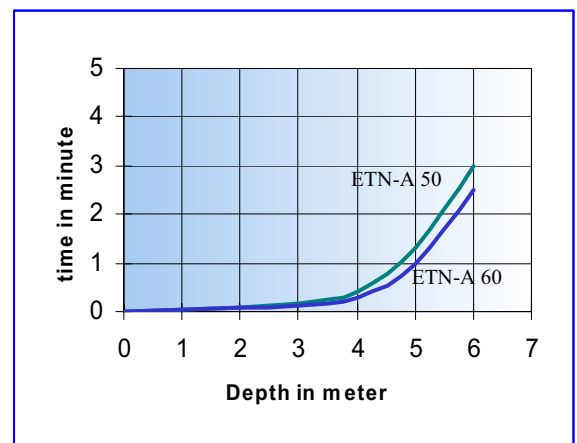
Performances curves



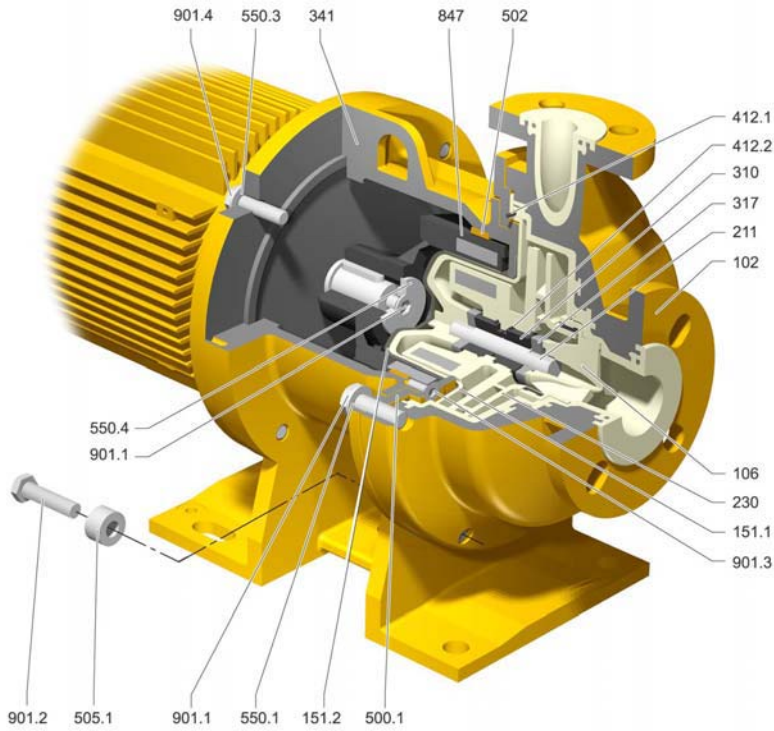
Approx. Priming times

ETN-A 50 : suction pipe DN 32

ETN-A 60 : suction pipe DN 50



Section pump

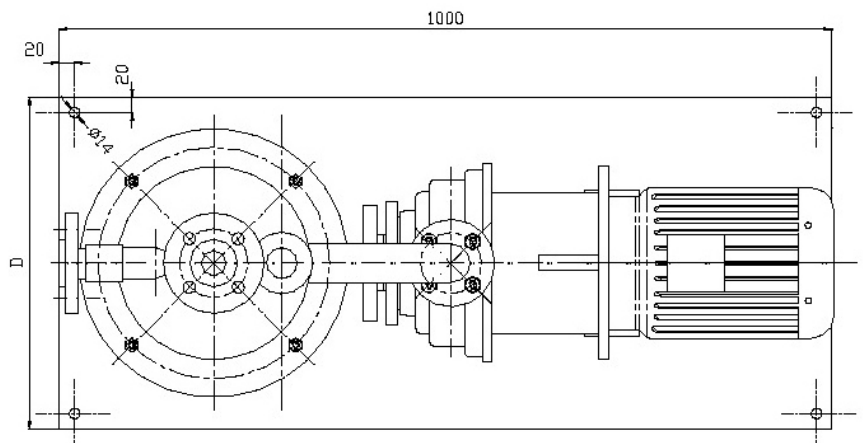
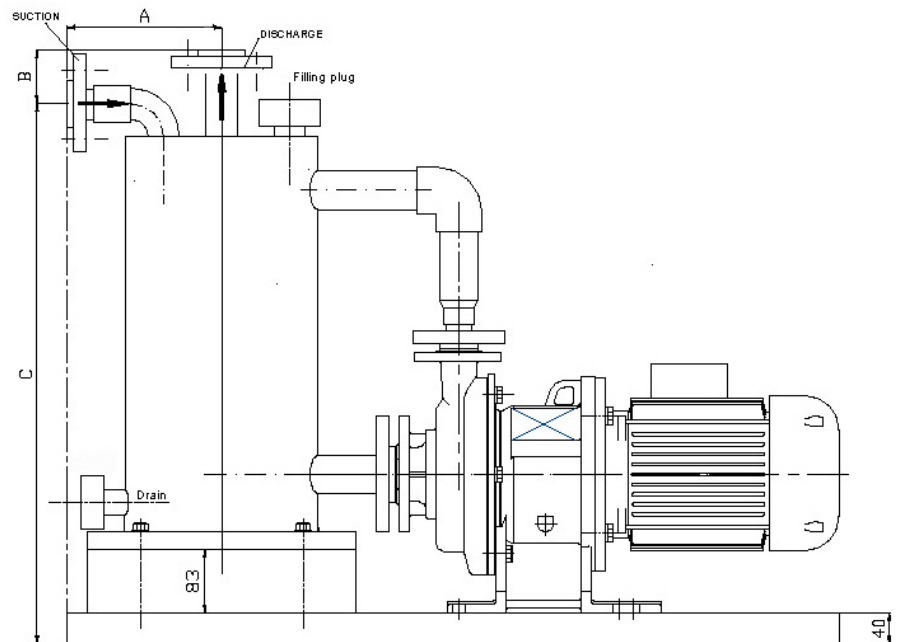


Rif.	Descrizione	Q.tà	Materiale
102	Pump casing	1	PP / ETFE + Cast iron
106	Suction cover	1	PP / ETFE
151.1	Isolation shell	1	PP / ETFE
151.2	Rivestimento bicchiere ***	1	PC+GF
211	Static shaft	1	Sic / Ceramic
230	Impeller	1	PP / ETFE
310	Rotating bushing	2	Graphite LF / Sic / Ceramic
317	Axial thrust shoe	2	Sic / Ceramic
341	Lantern	1	Cast iron
412.1	Casing gasket	1	FPM / EPDM / FFKM
502	Sparking ring	1	Bronze
847	External magnet	1	NdFeB

***151.2 Only for ETFE pumps

Overall dimensions

Pumps	ETN-A 50	ETN-A 60
Motor 2900 rpm	3 - 7.5 kw IP 55 or Eex(d)	3 - 7.5 kw IP 55 or Eex(d)
A	200	200
B	70	80
C	700	860
D	430	480
DNa PN 10	32	50
DNm PN 10	32	50



Via P.Togliatti 26/A 20030 Senago (Mi) Tel : +39 02 9901941 Fax +39 02 9980606
E-mail : exportsales@cdrpompe.com — Web site : www.cdrpompe.com